



Controls at the bottom

Right-hinged

BS 280 110

Stainless steel-backed full glass door

Width 76 cm

BS 280 130

Aluminium-backed full glass door

Width 76 cm

Left-hinged

BS 281 110

Stainless steel-backed full glass door

Width 76 cm

BS 281 130

Aluminium-backed full glass door

Width 76 cm

Included in the price

- 1 Gastronorm insert, GN 2/3 unperforated, 40 mm deep
- 1 Gastronorm insert, GN 2/3 perforated, 40 mm deep
- 1 wire rack
- 1 outlet hose (3 m long)
- 1 water inlet hose (3 m long)
- 1 plug-in core temperature probe

Special accessories

GN 340 230

Gastronorm roaster in cast aluminium,

GN 2/3, height 165 mm

GR 220 046

Wire rack, chromium-plated

Without opening, with feet.

GZ 010 011

Aqua stop extension (2 m long)

Extends the water inlet and outlet.

GN 114 130

Gastronorm insert, stainless steel,

GN 1/3

Unperforated, 40 mm deep, 1.5 l.

GN 114 230

Gastronorm insert, stainless steel,

GN 2/3

Unperforated, 40 mm deep, 3 l.

GN 124 130

Gastronorm insert, stainless steel,

GN 1/3

Perforated, 40 mm deep, 1.5 l.

GN 124 230

Gastronorm insert, stainless steel,

GN 2/3

Perforated, 40 mm deep, 3 l.

GN 410 130

Gastronorm lid, stainless steel, GN 1/3

GN 410 230

Gastronorm lid, stainless steel, GN 2/3

WF 040 020

Descaling and neutralising filter.

WF 040 021

Filter cartridges

Set of three filter cartridges.

Combi-steam oven 200 series

BS 280/BS 281

- Fixed connection for water inlet and outlet
- Hot air circulation 30 °C to 230 °C at variable humidity levels of 0%, 30%, 60%, 80%, 100%, freely combinable
- Steaming without pressure
- Electronic temperature control from 30 °C to 100 °C
- Core temperature probe, removable
- Net volume 44 litres
- Energy efficiency class A

Cooking methods

Combi-steaming, steam baking, juice extraction, low temperature steaming, low temperature cooking, regeneration, thawing, dough fermentation, misting.

Handling

LCD function display with digital clock. Timer functions: cooking time, switch off time, short-term timer, stop watch, long-term timer. Settings menu with clear text display. Actual temperature display. Electronic temperature control. Save up to 6 memory recipes (incl. core temperature probe). Rotary knob and touch key operation.

Features

Core temperature probe with automatic shut off. Automatic boiling point detection. Capacity display for filter cartridge (if connected to WF 040 020 Brita descaling system). 60 W halogen light on the side. Hygienic stainless steel interior. 4 rack levels. Side-opening door opens up to 180° angle.

Safety

Steam removal. Child lock. Safety lock. Cooled housing with temperature protection.

Cleaning

Cleaning programme. Drying programme. Grease filter in front of hot air fan.

Planning notes

Please read the installation details regarding air ducting on page 14/15.

Door hinge not reversible.

At no point may the outlet hose be positioned higher than the bottom edge of the appliance. The outlet hose must also be at least 100 mm lower than the appliance outlet (see drawing "drain connection").

The outlet hose must not be longer than a maximum of 5 m.

The water connection (1) for the inlet hose must always be accessible and not located directly behind the appliance.

The connection of the outlet hose to the siphon (2) must not be directly behind the appliance and should be accessible.

The descaling system WF 040 020 (3) must be installed when connecting the appliance if the water hardness exceeds 7° dH.

The façade of the appliance extends 47 mm from the furniture cavity.

The outer edge of the door handle extends 94 mm from the furniture cavity. Consider the overhang, incl. the door handle, when planning to open drawers next to the appliance.

Plan a gap of at least 5 mm between the appliance and adjacent cabinets. When planning a corner solution, pay attention to the 90° door opening angle.

To achieve the 550 mm installation depth, the water hoses and connecting cable needs to follow the slanted edge on the lower left hand corner of the housing and then be led down and up, respectively.

The mains socket needs to be planned outside of the niche.

Connection

Energy efficiency class A.

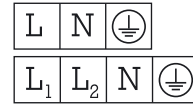
Total connected load 2.9 kW.

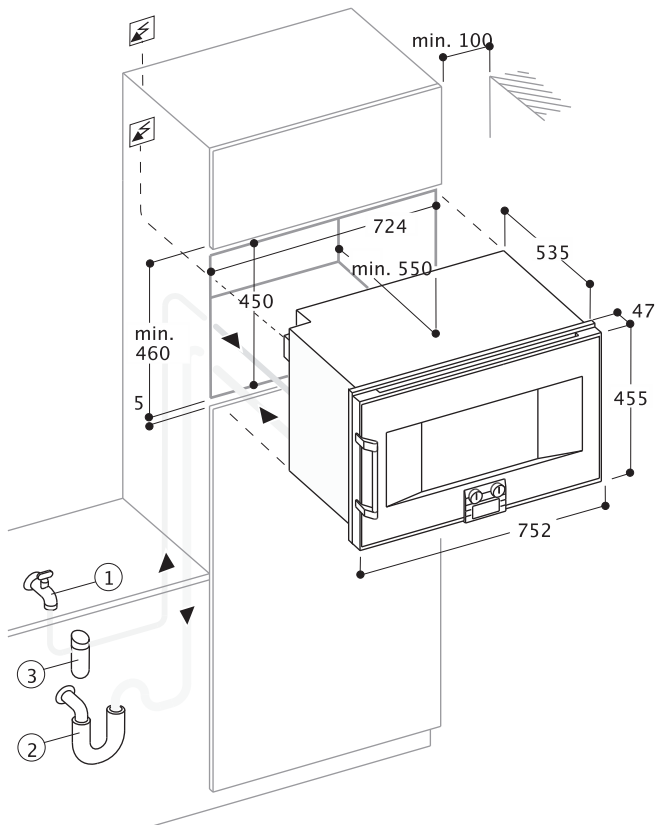
Only cold water connection.

Supply hose 3.0 m with 3/4 " connection.

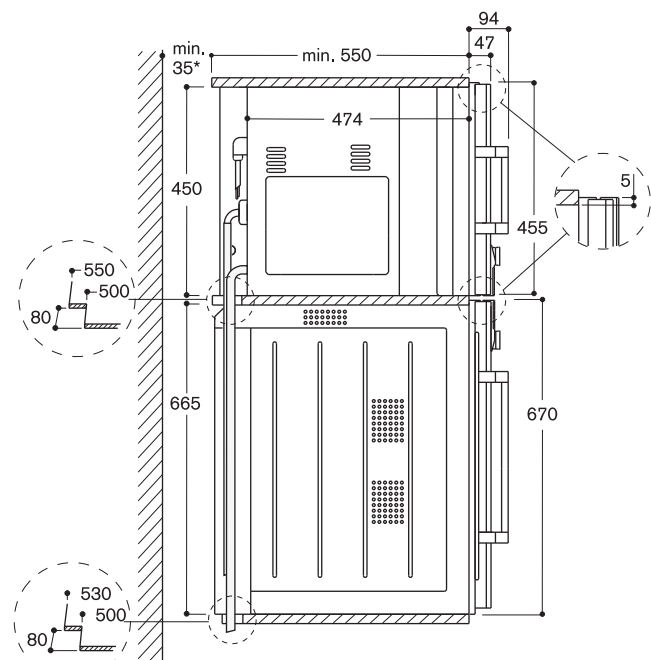
Outlet hose (ø 25 mm) 3.0 m (HT-Hose).

Plan a connecting cable.



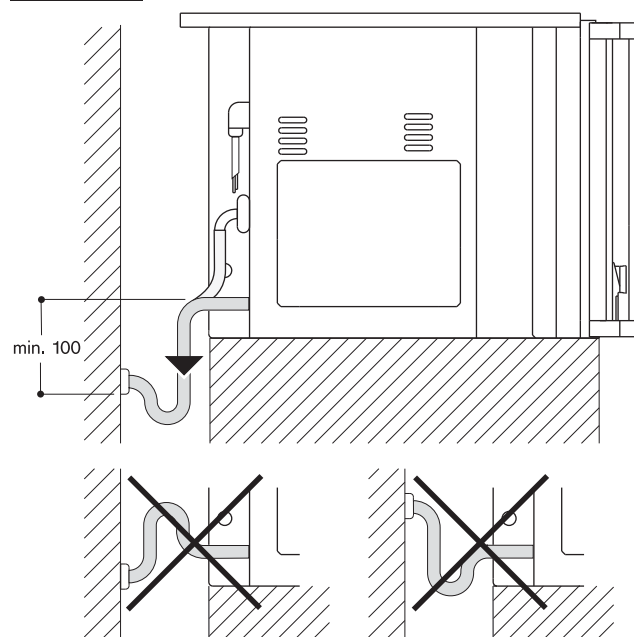


BS 280 steam oven installed above BO oven, side view

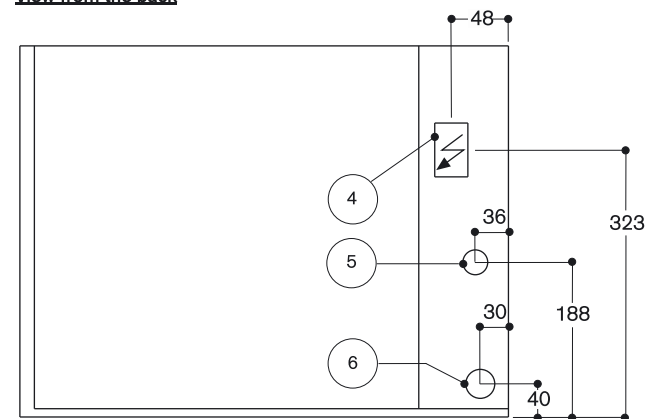


* Only required if the water hoses for the BS steam oven cannot be accommodated in the corner recesses of the appliances.

Drain connection



View from the back



- (4) electric terminal box
- (5) cold-water connection
- (6) water outlet