



Double oven 200 series
BX 280/BX 281

- Pyrolytic system
- 17 heating methods, with core temperature probe, rotisserie spit and baking stone function
- Electronic temperature control from 30 °C to 300 °C
- 2 x 110 litres net volume

Handling

LCD function display with digital clock.
 Timer functions: cooking time, switch off time, short-term timer, stop watch, long-term timer.
 Settings menu.
 Actual temperature display.
 Super-Quick control.
 Rotary knob and touch key operation.

Features

Core temperature probe with automatic shut off (lower oven).
 Rotisserie spit (lower oven).
 Baking stone socket.
 75 W halogen light on the top.
 2x10 W halogen light on the side.
 Enamel wire racks on the side with 5 rack levels, pyrolysis-safe.
 Side-opening door opens up to 180° angle.

Safety

Thermally insulated door with quadruple glazing.
 Child lock.
 Safety lock.
 Cooled housing with temperature protection.

Cleaning

Pyrolytic system.
 Gaggenau enamel.
 Heated air cleaning catalyst.

Planning notes

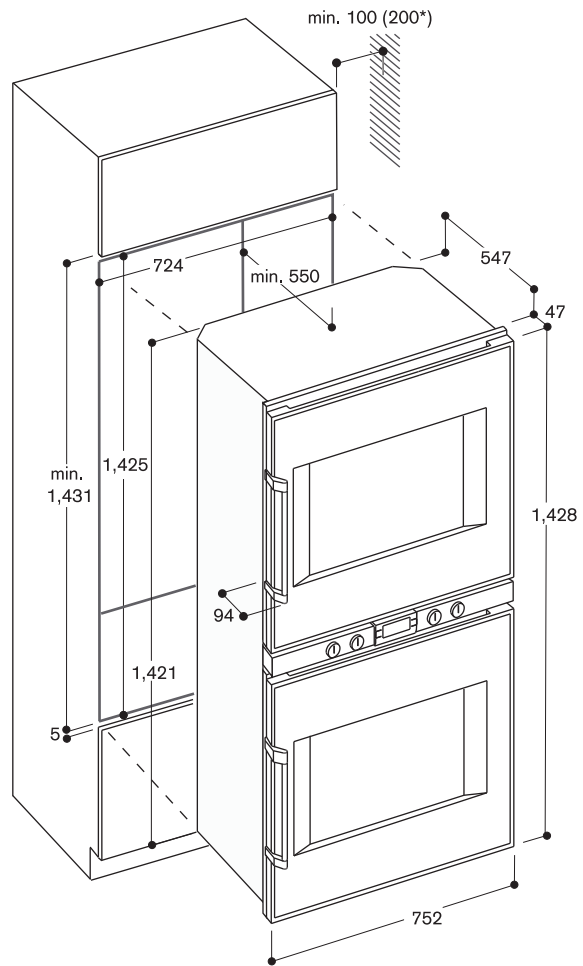
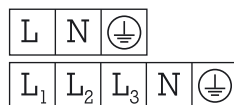
Please read the installation details regarding air ducting on page 14/15.

Door hinge not reversible.

The façade of the appliance extends 47 mm from the furniture cavity.
 The outer edge of the door handle extends 94 mm from the furniture cavity. Consider the overhang, incl. the door handle, when planning to open drawers next to the appliance.
 Plan a gap of at least 5 mm between the appliance and adjacent cabinets.
 When planning a corner solution, pay attention to the 90° door opening angle.
 To achieve the 550 mm installation depth, the connecting cable needs to follow the slanted edge on the lower right hand corner of the housing.
 The mains socket needs to be planned outside of the niche.

Connection

Energy efficiency class B.
 Total connected load 9.2 kW.
 Plan a connecting cable.



* 200mm in conjunction with accessories in preparation

Right-hinged

BX 280 110

Stainless steel-backed full glass door

Width 76 cm

BX 280 130

Aluminium-backed full glass door

Width 76 cm

Left-hinged

BX 281 110

Stainless steel-backed full glass door

Width 76 cm

BX 281 130

Aluminium-backed full glass door

Width 76 cm

Included in the price

- 2 baking trays, enamelled pyrolysis-safe
- 1 rotisserie spit
- 2 wire racks
- 2 grill trays with wire rack
- 1 plug-in core temperature probe

Special accessories

BA 028 101

Grill tray, enamelled

With feet and rotisserie spit attachment, 39 mm deep.

BA 028 111

Baking tray, enamelled

23 mm deep.

BA 038 101

Wire rack, chromium-plated

Angled, no opening.

BA 058 111

Heating element for baking stone

BA 058 131

Baking stone

Incl. baking stone support and pizza paddle (heating element must be ordered separately).

BS 020 002

Pizza paddle, set of 2



product
design
award

2008